



Siphon Ball Tank

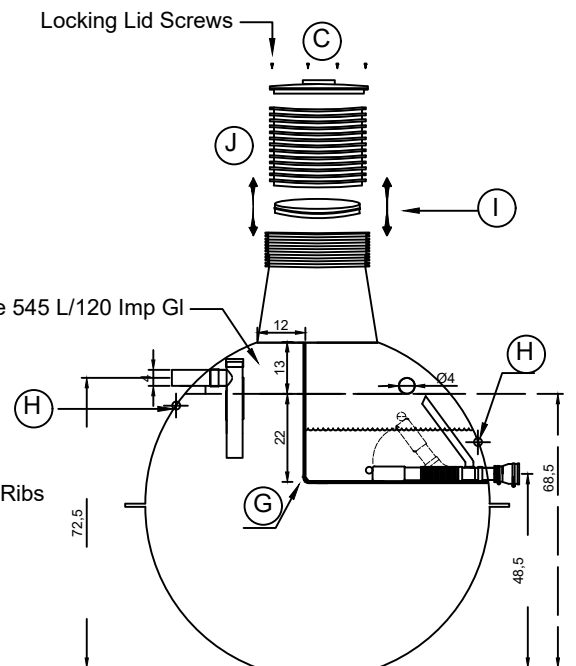
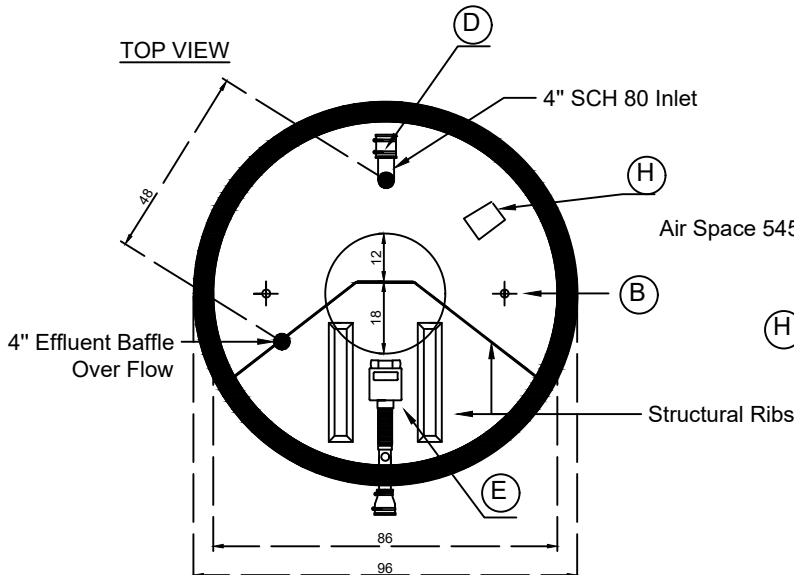
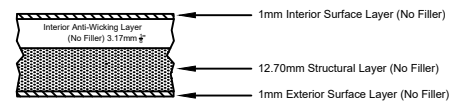
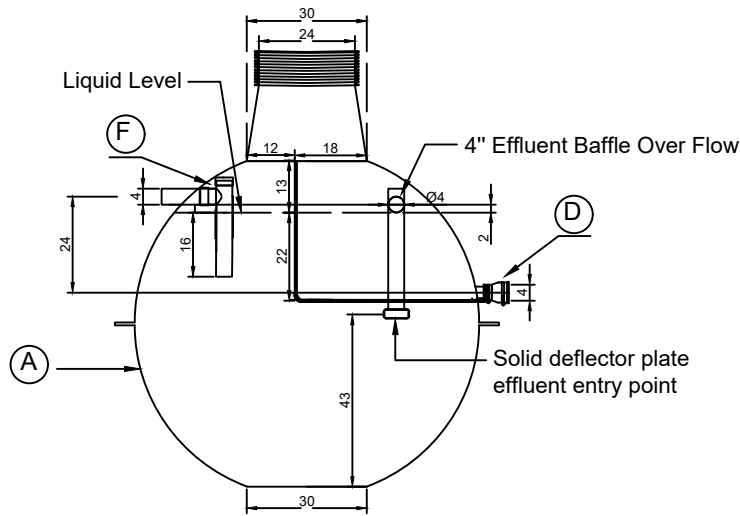
1200DBS Siphon Tank

PH: 403-393-6858

jbrosfiberglass@gmail.com

BY: Jessy Dyck

Deep Burial



Tank Specifications

| | |
|-------------------------|-----------------------|
| Diameter Width | 96 inch / 2438mm |
| Overall Weight | 1057 Lbs / 479 kg |
| Tank Height | 112 inch / 2845 mm |
| Working Capacity | 952Imp GI / 4328 L |
| Effluent Chamber | 120 Imp GI / 545 L |
| Siphon Flush Volume | 103 Imp GI / 468 L |
| Riser Diameter | 23.5 ID |
| In-let Standard | 4" SCH 80 PVC |
| Overall Capacity | 1192Imp GI / 5419 L |
| Riser Supplied | 3 Ft Orenco Ultra Rib |
| Burial Depth | 16FT |

EQUIPMENT LISTING

| | |
|---|---|
| A | Heavy Single Wall FRP Tank |
| B | Lifting Lugs |
| C | 24" Tuff Tite Insulated Gasket Fit Lid DANGER GAS |
| D | 4" Furnco Flex Coupling |
| E | Flout Siphon System |
| F | Inlet 4" SCH 80 PVC with 18" drop T Baffle |
| G | Dual Chamber Ultra Heavy Baffle |
| H | Marking and Instructions Inlet Outlet Tags |
| I | ABS Riser Adaptor |
| J | 24" Orenco Ultra Rib Riser |