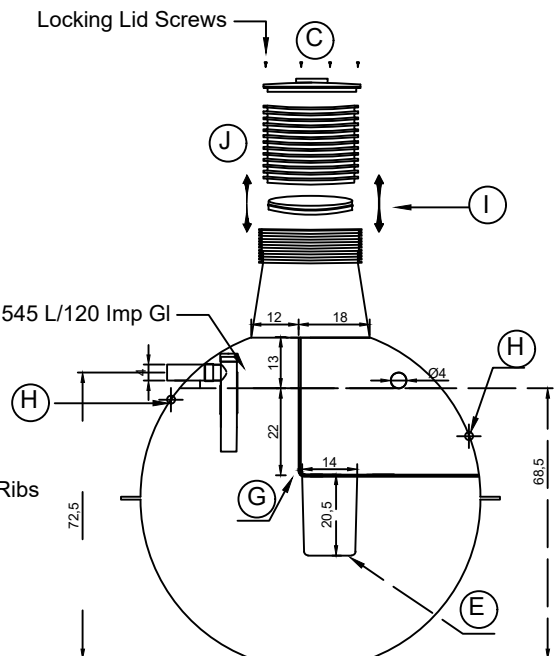
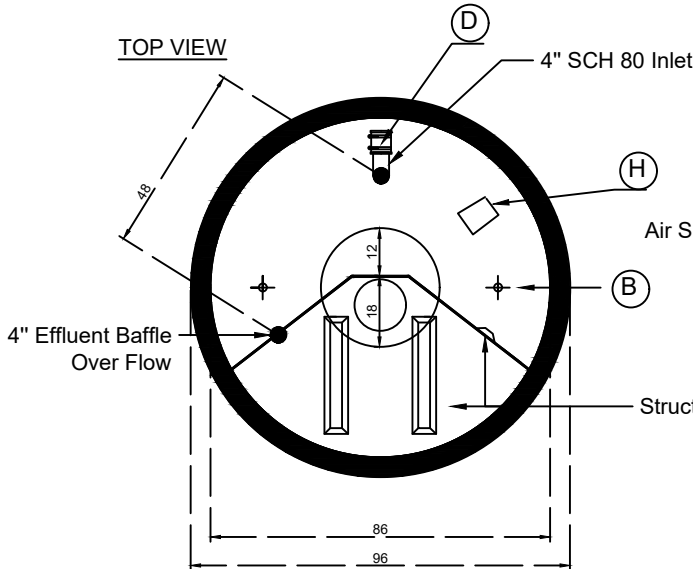
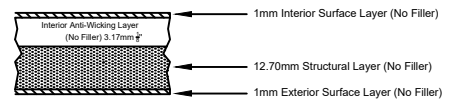


Pump-Out Ball Tank
 1200DBP Pump-Out Tank
 PH: 403-393-6858
 jbrosglass@gmail.com
 BY: Jessy Dyck

Deep Burial



Tank Specifications	
Diameter Width	96 inch / 2438mm
Overall Weight	1057 Lbs / 479 kg
Tank Height	112 inch / 2845 mm
Working Capacity	945 Imp GI / 4296 L
Effluent Chamber	127 Imp GI / 577 L
Riser Diameter	23.5 ID
In-let Standard	4" FRP
Overall Capacity	1192 Imp GI / 5419 L
Riser Supplied	3 Ft Orenco Ultra Rib
Burial Depth	16FT

EQUIPMENT LISTING	
A	Heavy Single Wall FRP Tank
B	Lifting Lugs
C	24" Tuff Tite Insulated Gasket Fit Lid DANGER GAS
D	4" Furnco Flex Coupling
E	Pump Vault
F	Inlet 4" SCH 80 PVC with 18" drop T Baffle
G	Dual Chamber Ultra Heavy Baffle
H	Marking and Instructions Inlet Outlet Tags
I	ABS Riser Adaptor
J	24" Orenco Ultra Rib Riser