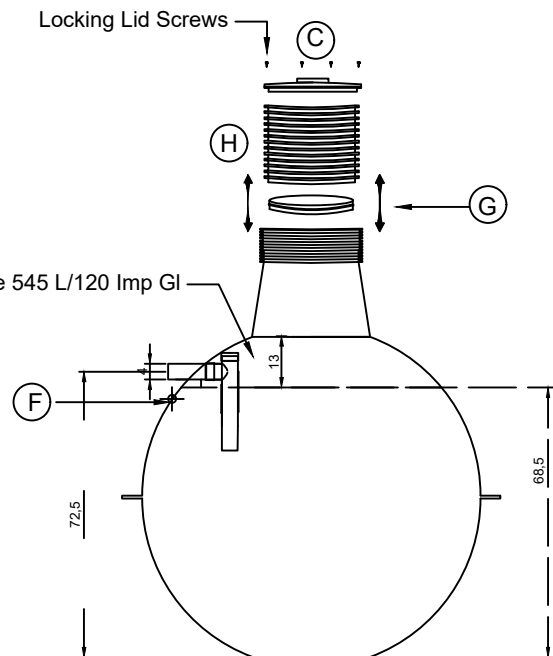
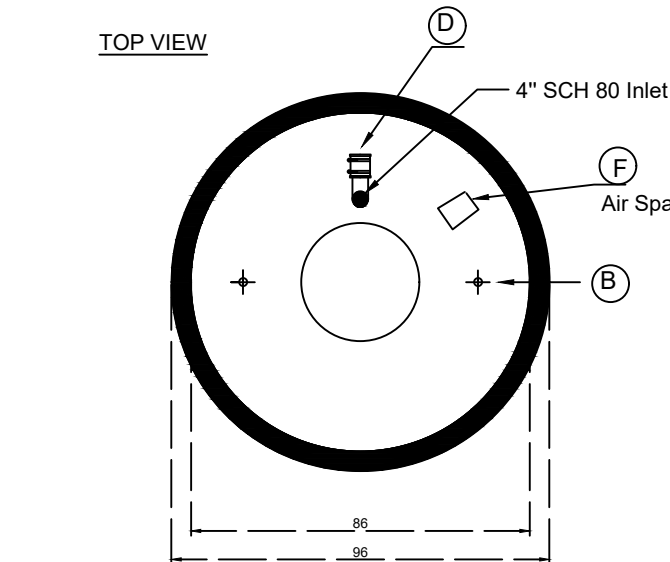


Holding Ball Tank
 1200BH Holding Tank
 PH: 403-393-6858
 jbrosglass@gmail.com
 BY: Jessy Dyck

TOP VIEW



Tank Specifications	
Diameter Width	96 inch / 2438mm
Overall Weight	698 Lbs / 316 kg
Tank Height	112 inch / 2845 mm
Working Capacity	1072 Imp GI / 5328 L
Riser Diameter	23.5 ID
In-let Standard	4" SCH 80 PVC
Overall Capacity	1192 Imp GI / 5419 L
Riser Supplied	3 Ft Orenco Ultra Rib
Burial Depth	8FT

EQUIPMENT LISTING	
A	Heavy Single Wall FRP Tank
B	Lifting Lugs
C	24" Tuff Tite Insulated Gasket Fit Lid DANGER GAS
D	4" Furnco Flex Coupling
E	Inlet 4" SCH 80 PVC with 18" drop T Baffle
F	Marking and Instructions Inlet Outlet Tags
G	ABS Riser Adaptor
H	24" Orenco Ultra Rib Riser