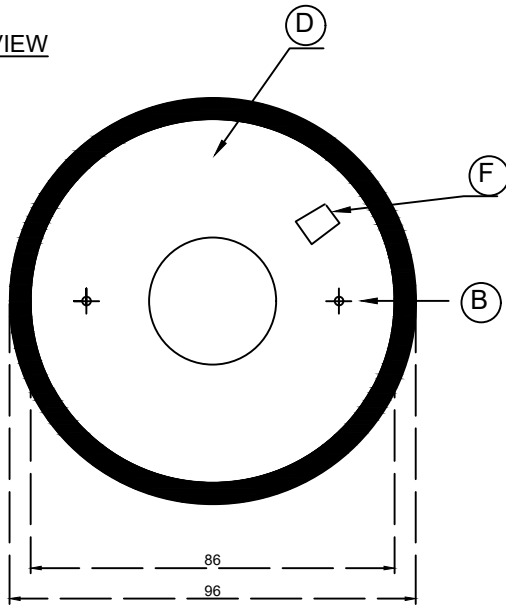
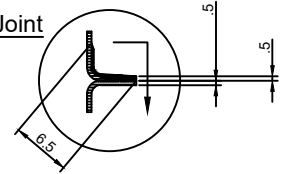


Cistern Ball Tank
 1200BC
 PH: 403-393-6858
 jbrosglass@gmail.com
 BY: Jessy Dyck

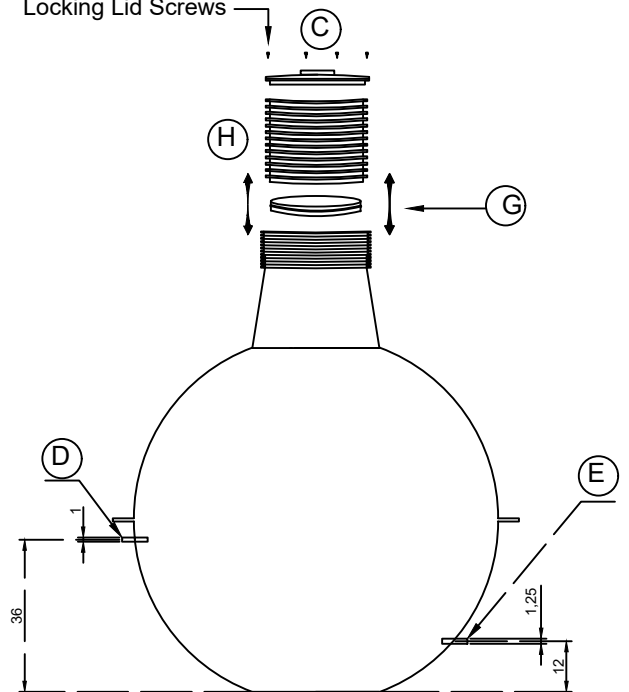
TOP VIEW



Chopped Flange Connection Joint



Locking Lid Screws



Tank Specifications	
Diameter Width	96 inch / 2438mm
Overall Weight	698 Lbs / 316 kg
Tank Height	112 inch / 2845 mm
Out-Let Standard	1.25" FRP
In-let Standard	1" FRP
Overall Capacity	1192Imp GI / 5419 L
Riser Supplied	3 Ft Orenco Ultra Rib
Burial Depth	8FT

EQUIPMENT LISTING	
A	Heavy Single Wall FRP Tank
B	Lifting Lugs
C	24" Tuff Tite Insulated Gasket Fit Lid DANGER GAS
D	1" FRP
E	1.25" FRP
F	Marking and Instructions Inlet Outlet Tags
G	ABS Riser Adaptor
H	24" Orenco Ultra Rib Riser