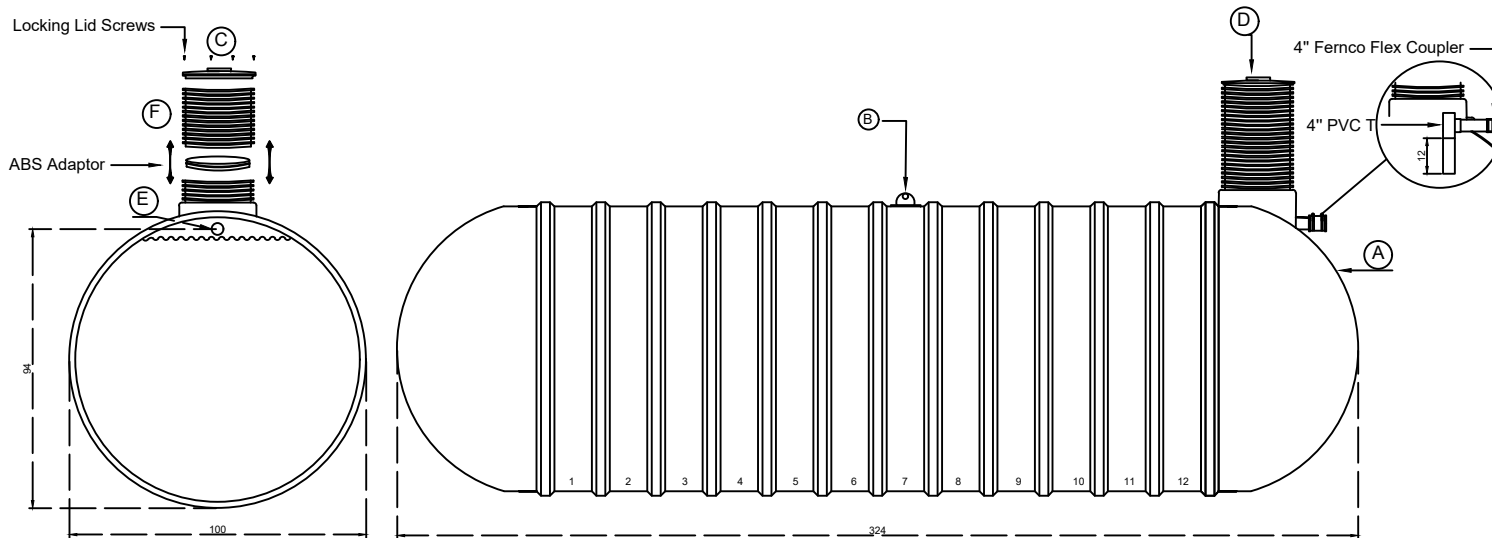
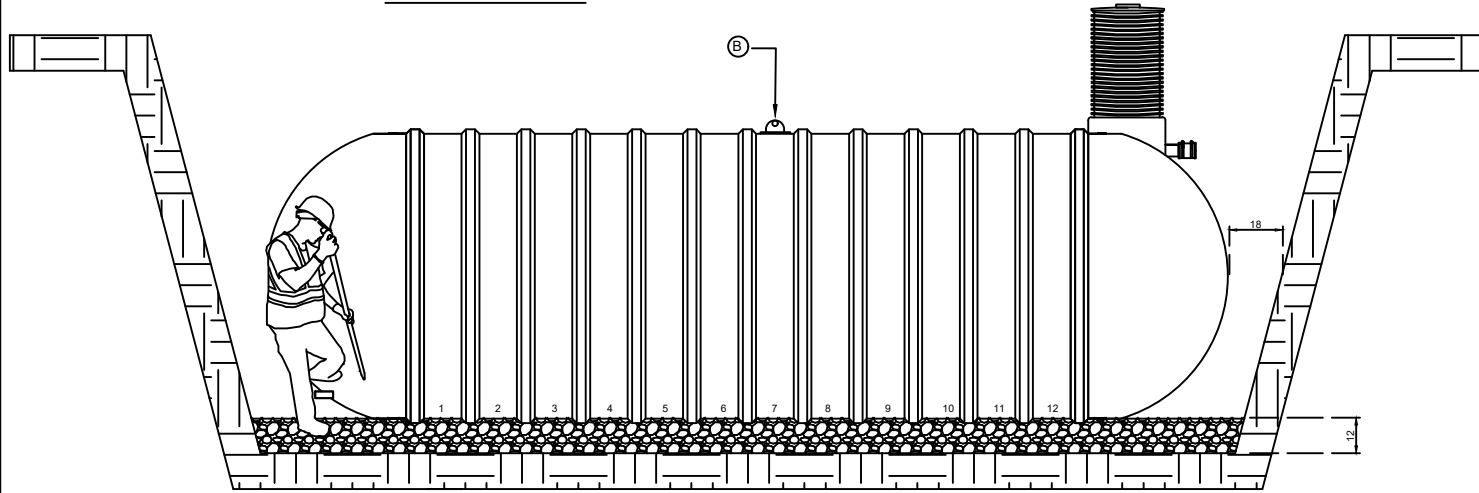


8000 H



Tank Specifications	
Overall Length	324"
Overall Weight	2751 Lbs
Overall Capacity	8000 Imp Gl / 36,320 L
Working Capacity	7200 Imp Gl / 32,688 L
Cylinder Height	96"
Riser Diameter	23.5 ID
In-let Standard	4" SCH 80 Inlet
Riser Supplied	3Ft Orenco Ultra Rib
Burial Depth	6FT

EQUIPMENT LISTING	
A	Heavy Single Wall FRP Tank
B	Lifting Lugs
C	24" Tuff Tite Insulated Gasket Fit Lid
D	8" Clean Out
E	4" SCH 80 Inlet
F	24" Orenco Ultra Rib Riser

Model:8000 H
PH: 403-393-6858
jbrosfiberglass@gmail.com
BY: Jessy Dyck

