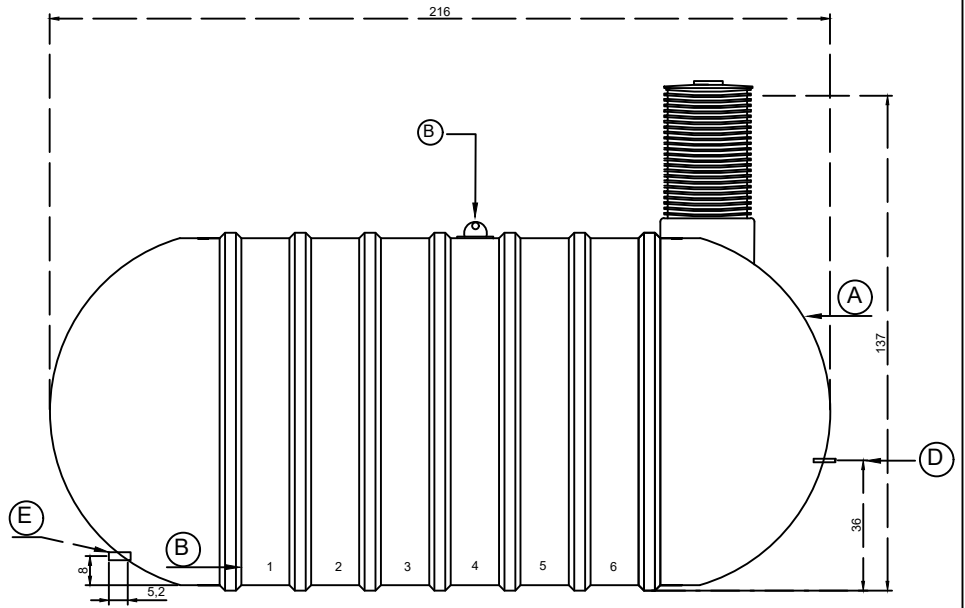
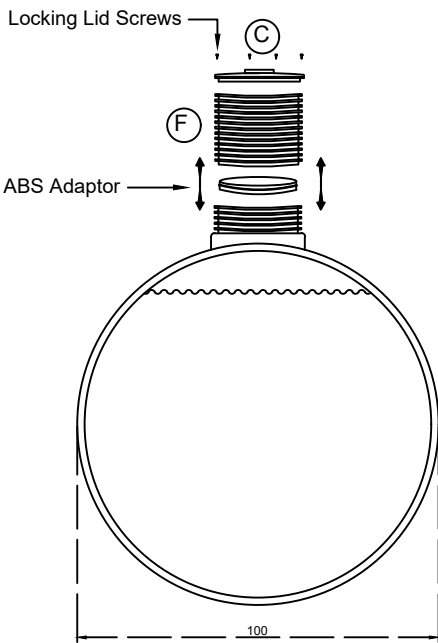
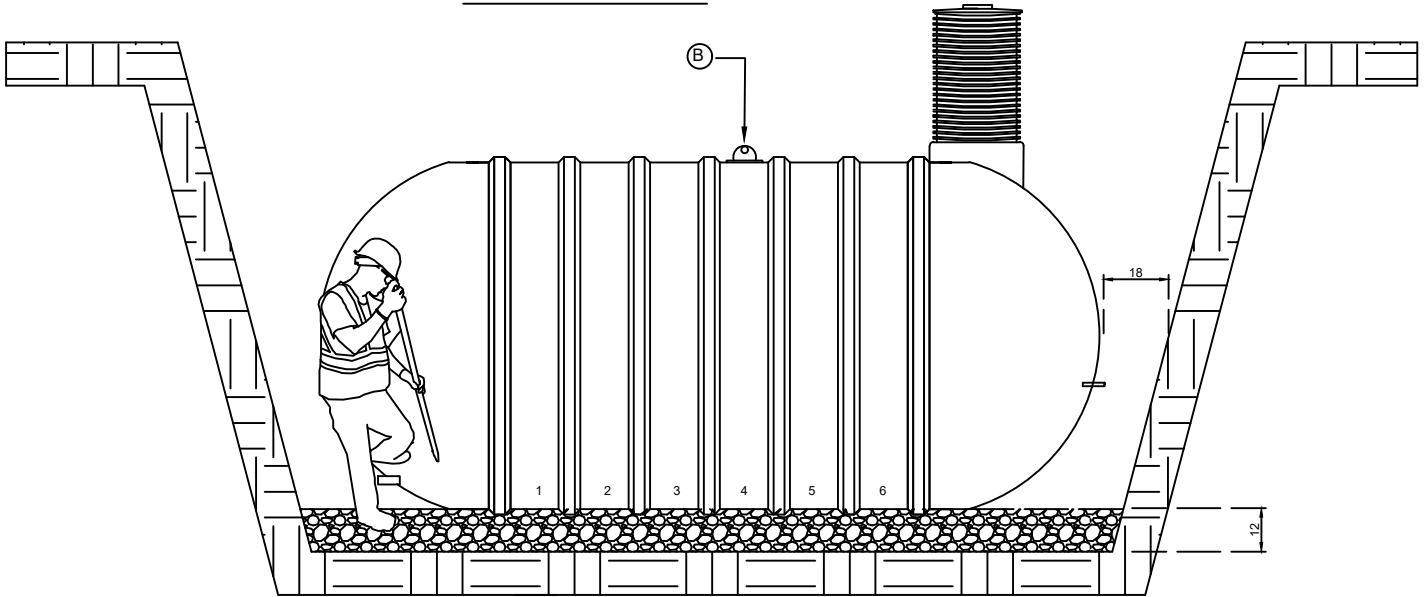


5000 C



Tank Specifications

Overall Length	216"
Overall Weight	1800 Lbs
Overall Capacity	5000 Imp Gl
Cylinder Height	96"
Riser Diameter	23.5 ID
In-let Standard	1" FRP Female Thread
Out-Let Standard	1.25" Female Thread
Riser Supplied	3Ft Orenco Ultra Rib
Max Burial Depth	6FT

EQUIPMENT LISTING

A	Heavy Single Wall FRP Tank
B	Lifting Lugs
C	24" Tuff Tite Insulated Gasket Fit Lid
D	1" FRP Inlet
E	1.25" FRP Female Thread Outlet
F	24" Orenco Ultra Rib Riser

Model: 5000 C
PH: 403-393-6858
jbrosfiberglass@gmail.com
BY: Jessy Dyck

