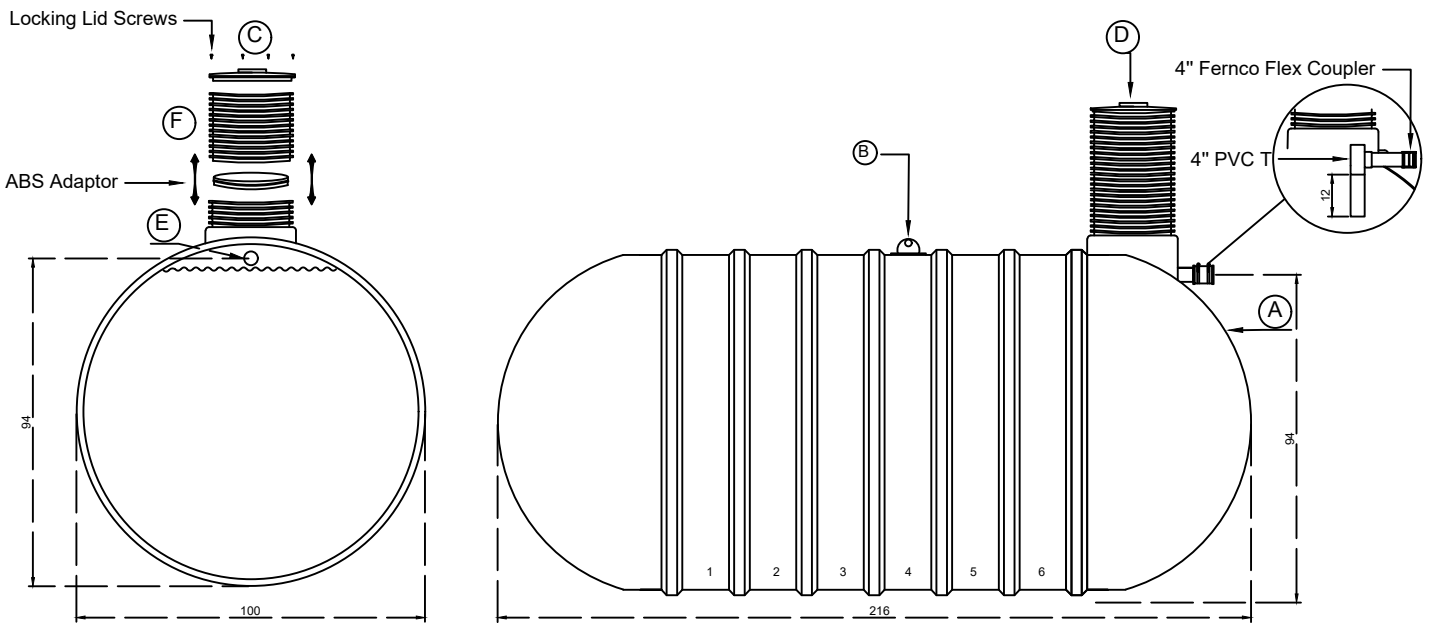
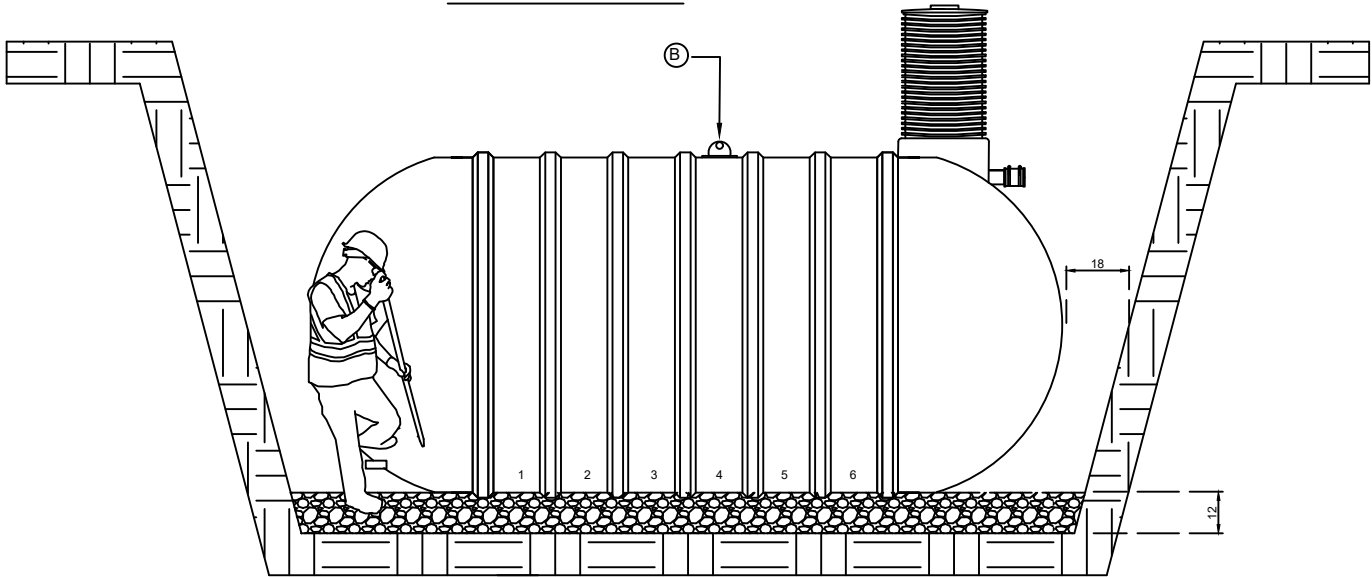


5000 H



Tank Specifications

Overall Length	216"
Overall Weight	1824 Lbs
Overall Capacity	5000 Imp GI / 22,700 L
Working Capacity	4500 Imp GI / 20,430 L
Cylinder Height	96"
Riser Diameter	23.5 ID
In-let Standard	4" SCH 80 Inlet
Riser Supplied	3Ft Orenco Ultra Rib
Burial Depth	6FT

EQUIPMENT LISTING

A	Heavy Single Wall FRP Tank
B	Lifting Lugs
C	24" Tuff Tite Insulated Gasket Fit Lid
D	8" Clean Out
E	4" SCH 80 Inlet
F	24" Orenco Ultra Rib Riser

Model:5000 H

PH: 403-393-6858

jbrosfiberglass@gmail.com

BY: Jessy Dyck

