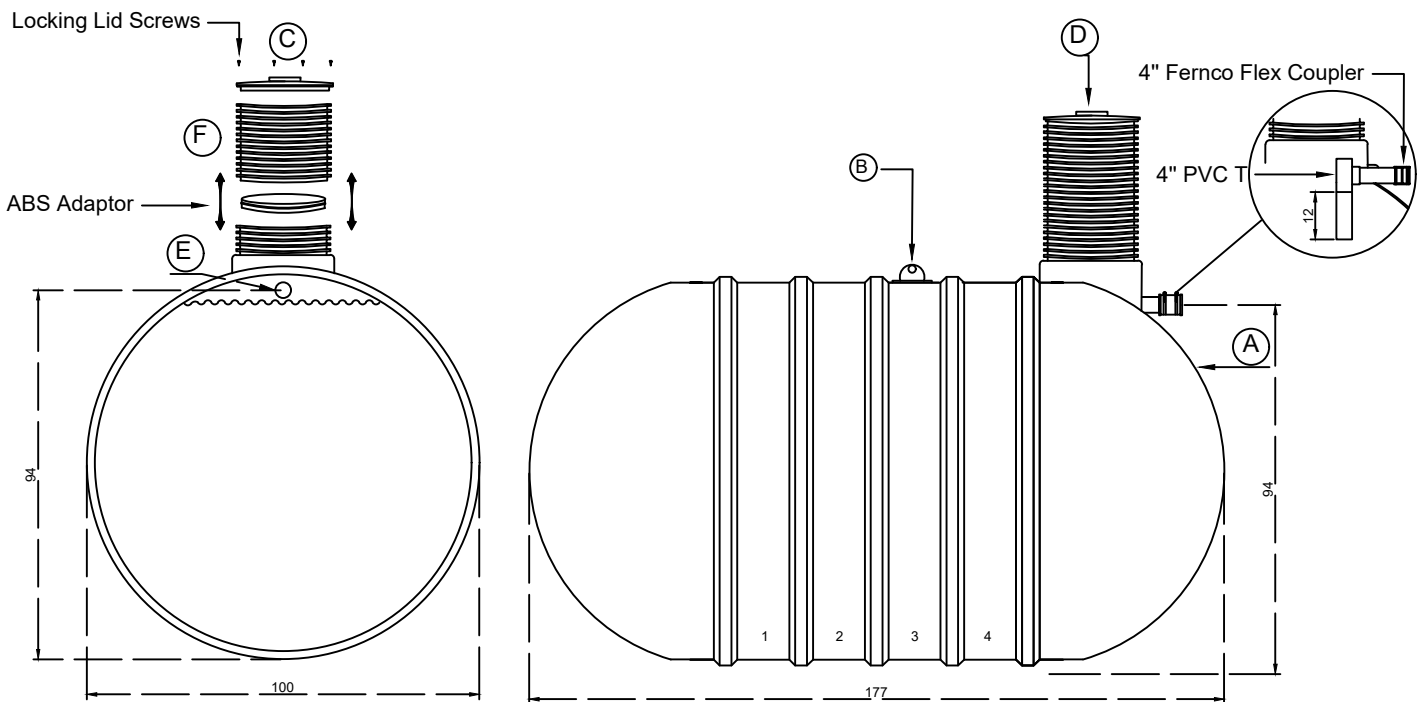
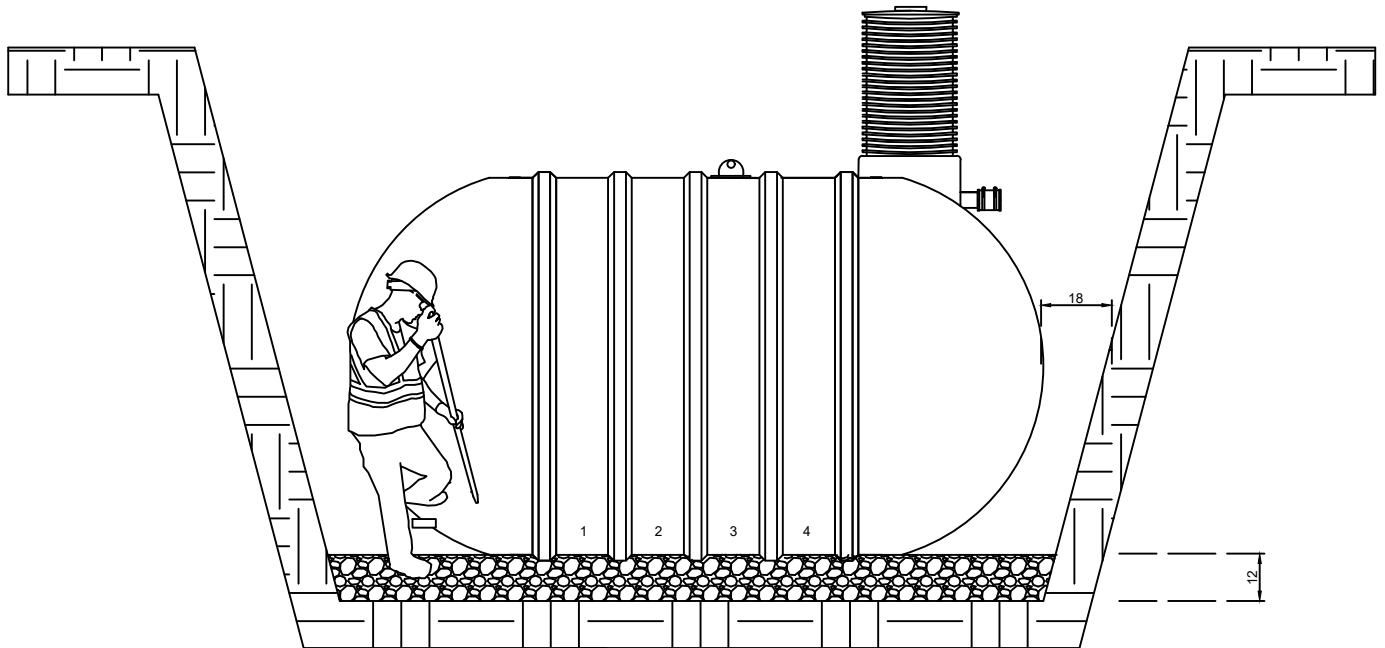


# 4000 H



## Tank Specifications

<b>Overall Length</b>	177"
<b>Overall Weight</b>	1415 Lbs
<b>Overall Capacity</b>	4000 Imp Gl / 18,160 L
<b>Working Capacity</b>	3600 Imp Gl / 16,344 L
<b>Cylinder Height</b>	96"
<b>Riser Diameter</b>	23.5 ID
<b>In-let Standard</b>	4" SCH 80 Inlet
<b>Riser Supplied</b>	3Ft Orenco Ultra Rib
<b>Burial Depth</b>	6FT

## EQUIPMENT LISTING

A	Heavy Single Wall FRP Tank
B	Lifting Lugs
C	24" Tuff Tite Insulated Gasket Fit Lid
D	8" Clean Out
E	4" SCH 80 Inlet
F	24" Orenco Ultra Rib Riser

Model:4000 H

PH: 403-393-6858

jbrosfiberglass@gmail.com

BY: Jessy Dyck

