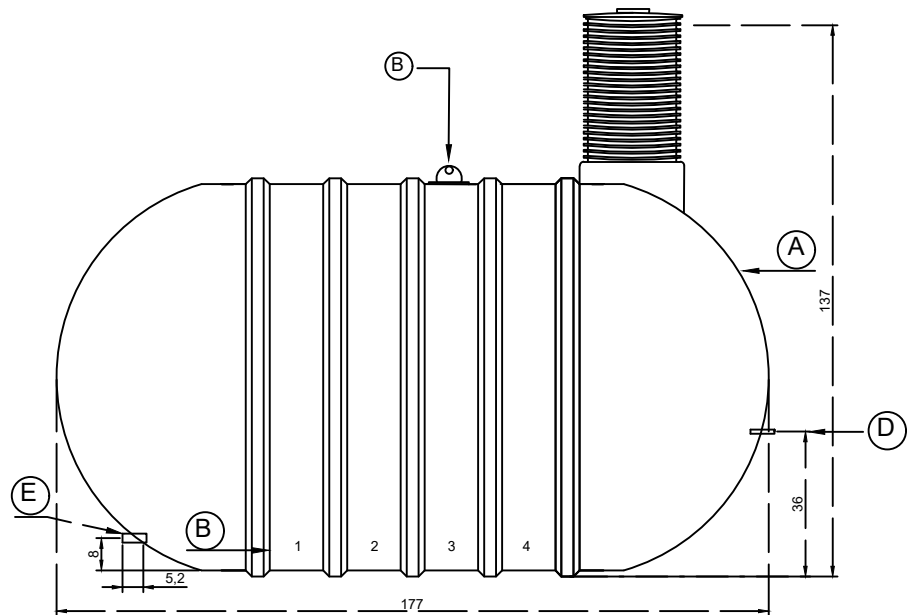
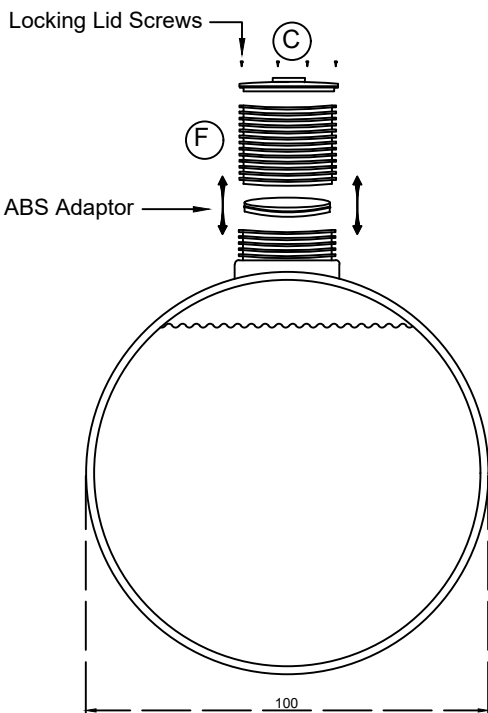
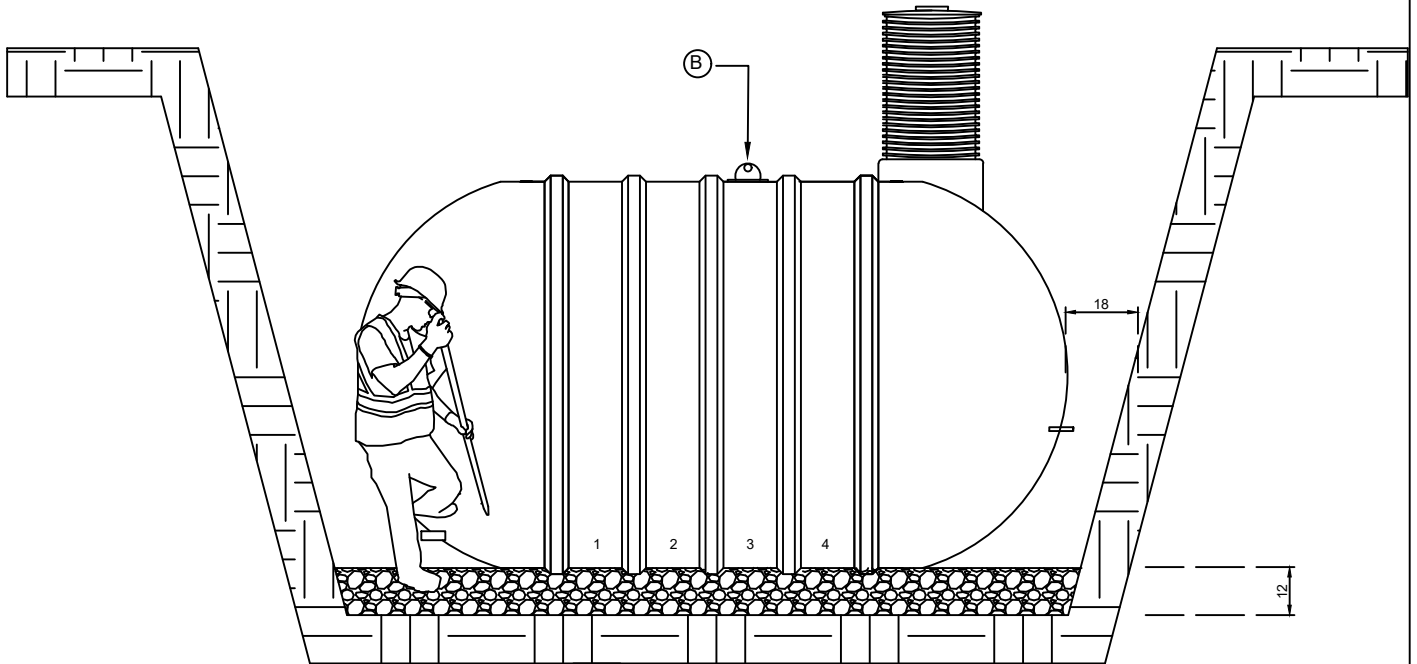


# 4000 C



## Tank Specifications

<b>Overall Length</b>	177"
<b>Overall Weight</b>	1423 Lbs
<b>Overall Capacity</b>	4000 Imp Gl
<b>Cylinder Height</b>	96"
<b>Riser Diameter</b>	23.5 ID
<b>In-let Standard</b>	1" FRP Female Thread
<b>Out-Let Standard</b>	1.25" Female Thread
<b>Riser Supplied</b>	3Ft Orenco Ultra Rib
<b>Max Burial Depth</b>	6FT

## EQUIPMENT LISTING

A	Heavy Single Wall FRP Tank
B	Lifting Lugs
C	24" Tuff Tite Insulated Gasket Fit Lid
D	1" FRP Inlet
E	1.25" FRP Female Thread Outlet
F	24" Orenco Ultra Rib Riser

Model:4000 C
PH: 403-393-6858
jbrosfiberglass@gmail.com
BY: Jessy Dyck

