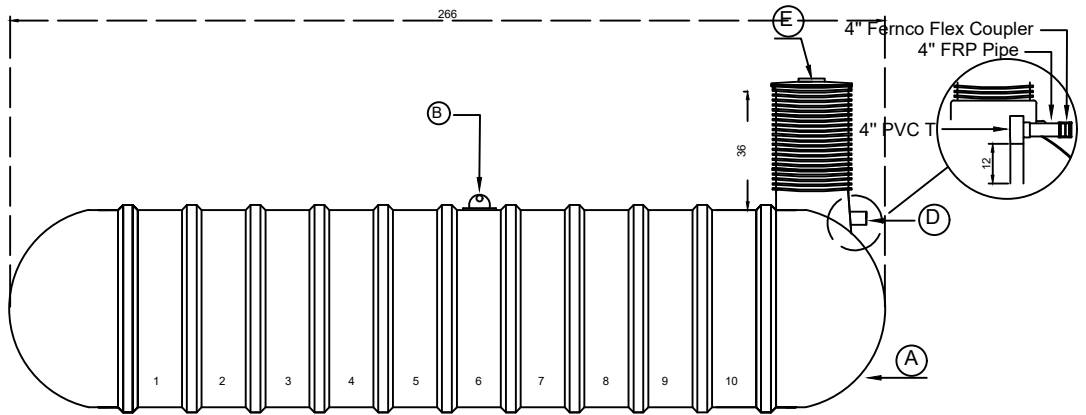
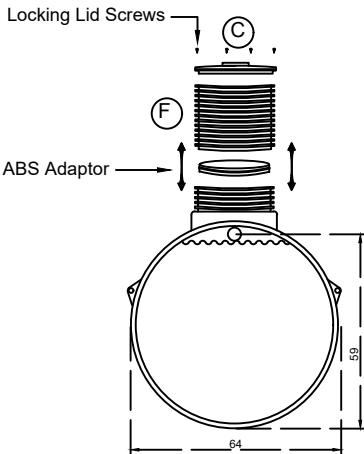
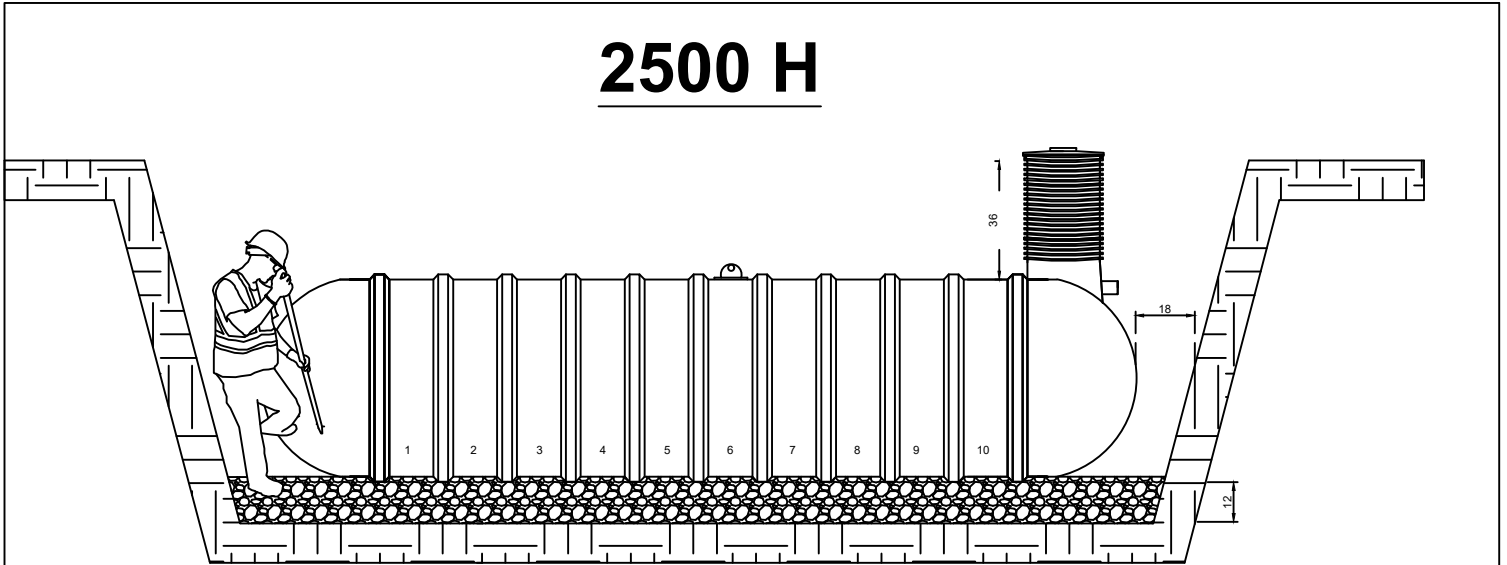


2500 H



Tank Specifications

Overall Length	266"
Overall Weight	1240 Lbs
Overall Capacity	2500 Imp G / 11365 L
Working Capacity	2250 G/10212
Cylinder Height	64"
Riser Diameter	23.5 ID
In-let Standard	4" FRP
Riser Supplied	3Ft Orenco Ultra Rib
Burial Depth	6FT

EQUIPMENT LISTING

A	Heavy Single Wall FRP Tank
B	Lifting Lugs
C	24" Tuff Tite Insulated Gasket Fit Lid
D	1" FRP Inlet
E	8" Clean Out
F	24" Orenco Ultra Rib Riser



Model:2500 H

PH: 403-393-6858

jbrosfiberglass@gmail.com

BY: Jessy Dyck