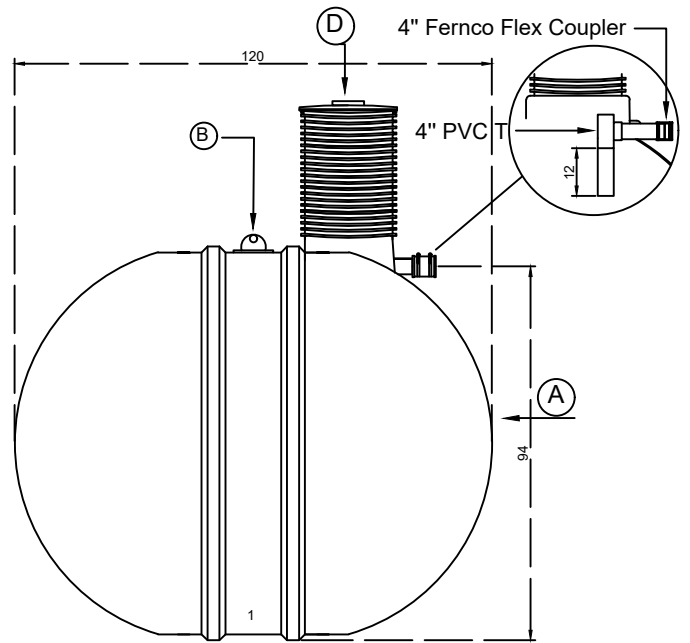
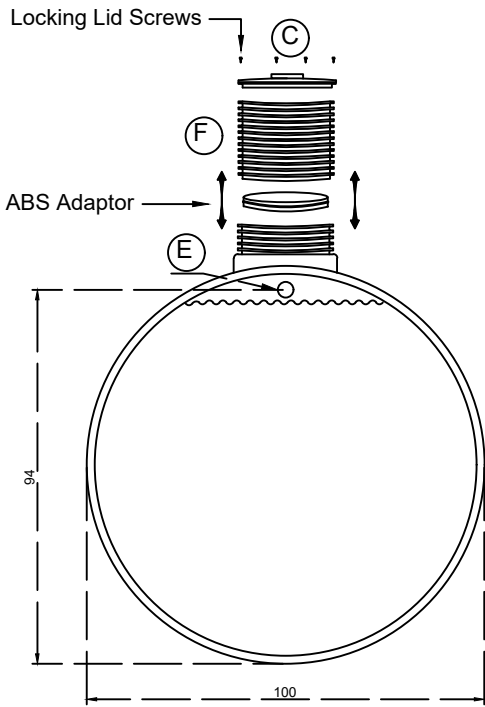
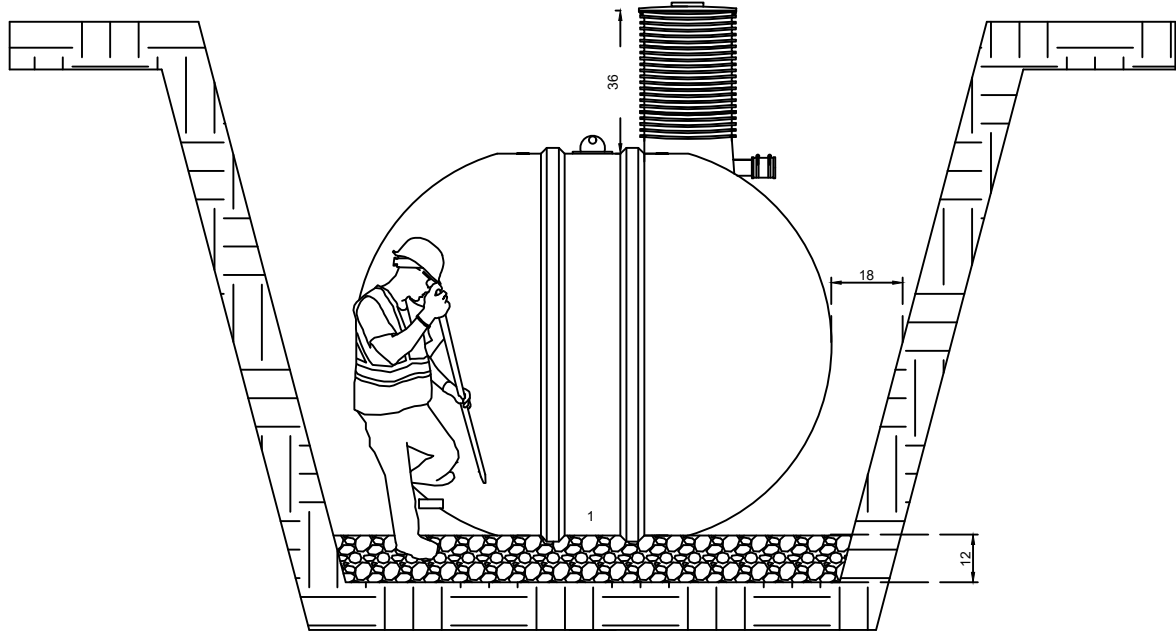


# 2500 H



## EQUIPMENT LISTING

Model: 2500 H	A Heavy Single Wall FRP Tank
PH: 403-393-6858	B Lifting Lugs
jbrosfiberglass@gmail.com	C 24" Tuff Tite Insulated Gasket Fit Lid
BY: Jessy Dyck	D 8" Clean Out
	E 4" SCH 80 Inlet
	F 24" Orenco Ultra Rib Riser

## Tank Specifications

<b>Overall Length</b>	120"
<b>Overall Weight</b>	1143 Lbs
Overall Capacity	2500 Imp Gl / 11,350 L
Working Capacity	2250 Imp Gl / 10,215 L
<b>Cylinder Height</b>	96"
<b>Riser Diameter</b>	23.5 ID
<b>In-let Standard</b>	4" SCH 80 Inlet
<b>Riser Supplied</b>	3Ft Orenco Ultra Rib
Burial Depth	6FT