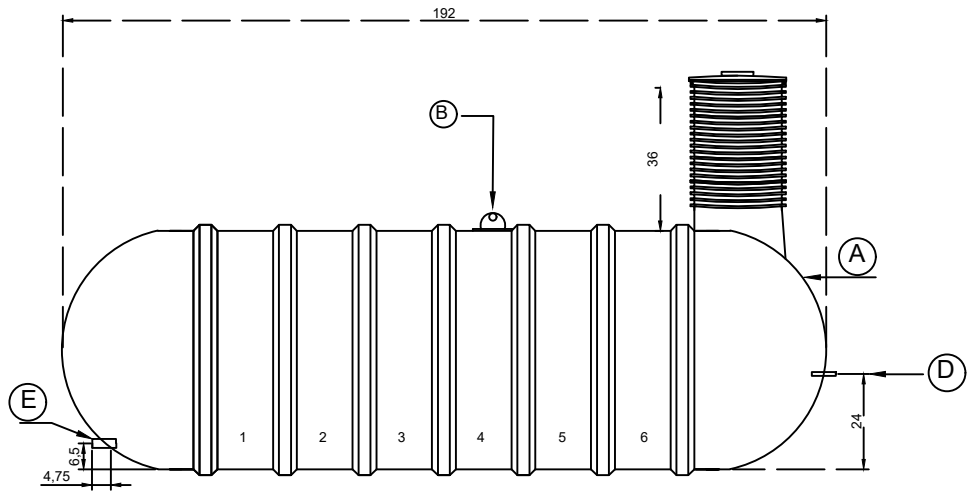
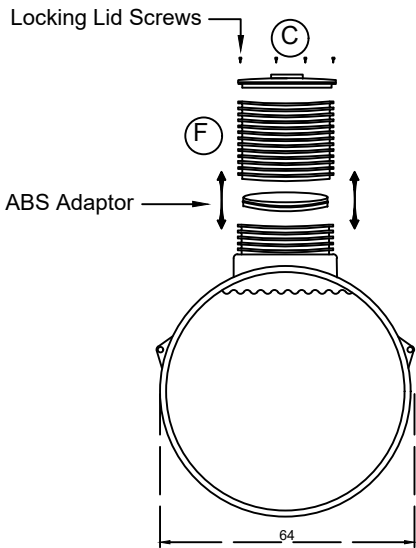
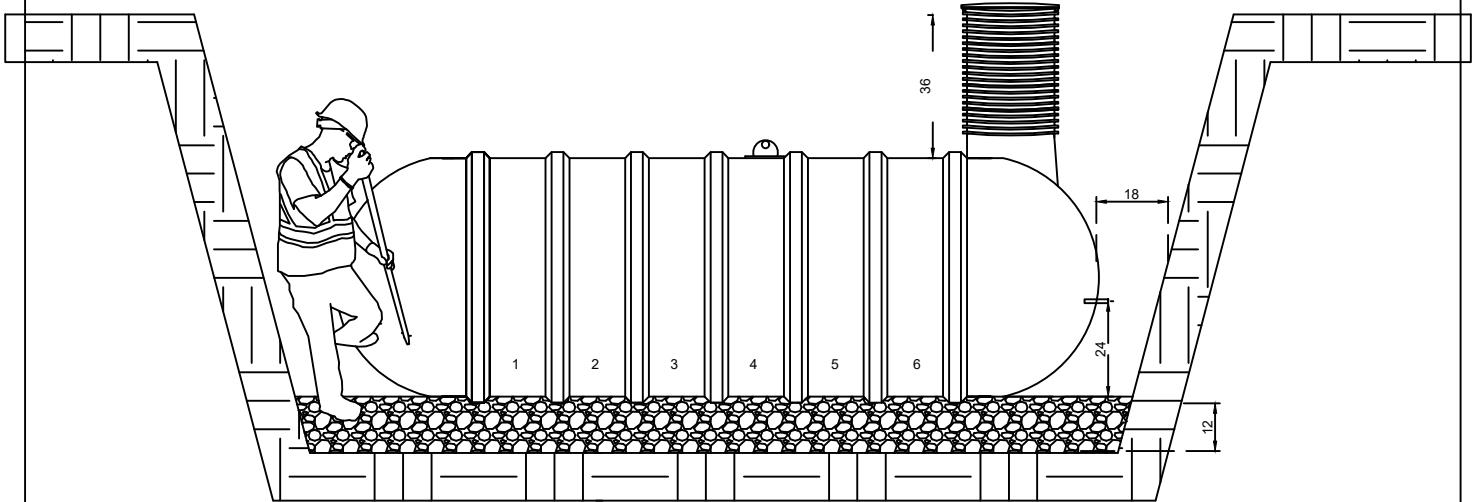


1750 C



Tank Specifications	
Overall Length	192"
Overall Weight	920 Lbs
Overall Capacity	1750 Imp GI / 7955 L
Cylinder Height	64"
Riser Diameter	23.5 ID
In-let Standard	1" FRP Female Thread
Out-Let Standard	1.25" Female Thread
Riser Supplied	3Ft Orenco Ultra Rib
Burial Depth	6FT

EQUIPMENT LISTING	
A	Heavy Single Wall FRP Tank
B	Lifting Lugs
C	24" Tuff Tite Insulated Gasket Fit Lid
D	1" FRP Inlet
E	1.25" FRP Female Thread Outlet
F	24" Orenco Ultra Rib Riser

Model: 1750 C
PH: 403-393-6858
jbrosfiberglass@gmail.com
BY: Jessy Dyck

