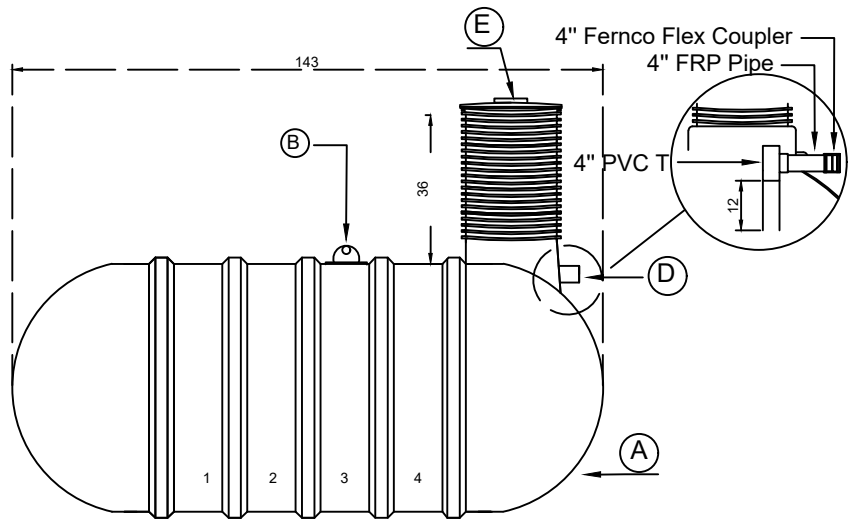
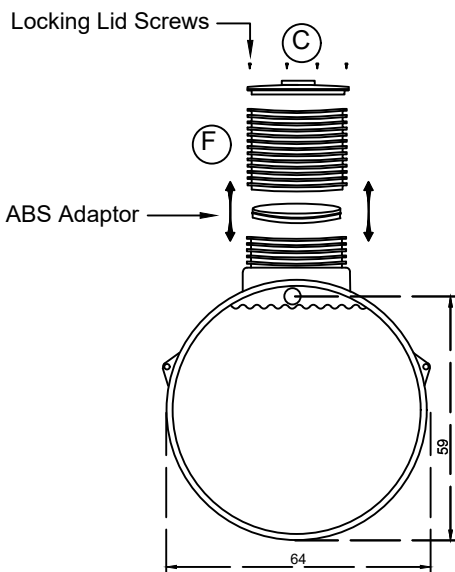
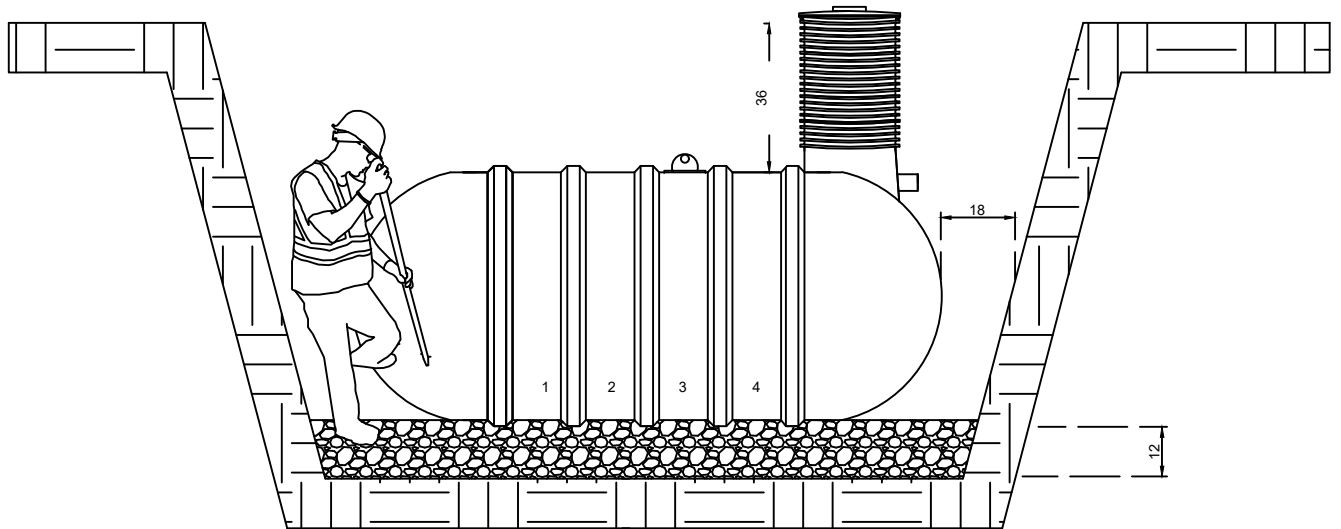


1250 H



Tank Specifications

Overall Length	143"
Overall Weight	717 Lbs
Overall Capacity	1250 Imp Gal / 5682 L
Working Capacity	1125 Gal / 5107 L
Cylinder Height	64"
Riser Diameter	23.5 ID
In-let Standard	4" FRP
Riser Supplied	3Ft Orenco Ultra Rib
Burial Depth	6FT

EQUIPMENT LISTING

A	Heavy Single Wall FRP Tank
B	Lifting Lugs
C	24" Tuff Tite Insulated Gasket Fit Lid
D	1" FRP Inlet
E	8" Clean Out
F	24" Orenco Ultra Rib Riser

Model: 1250 H
PH: 403-393-6858
jbrosfiberglass@gmail.com
BY: Jessy Dyck

