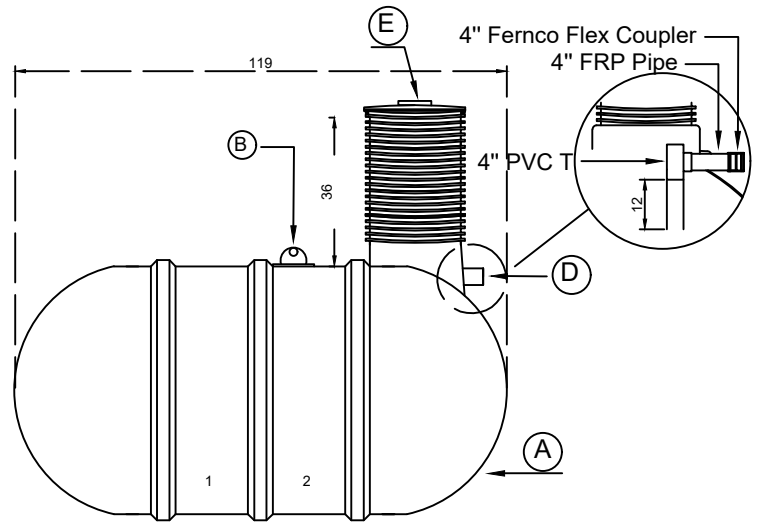
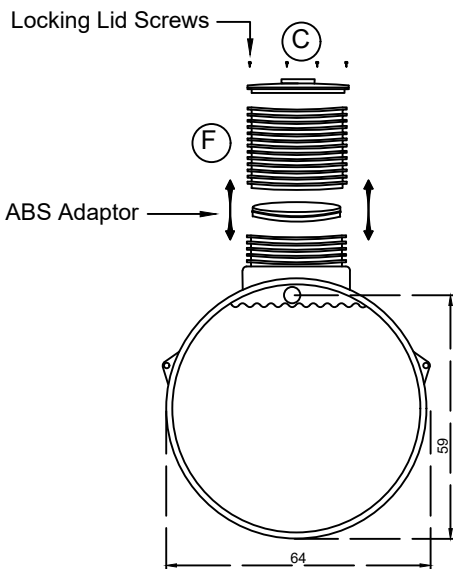
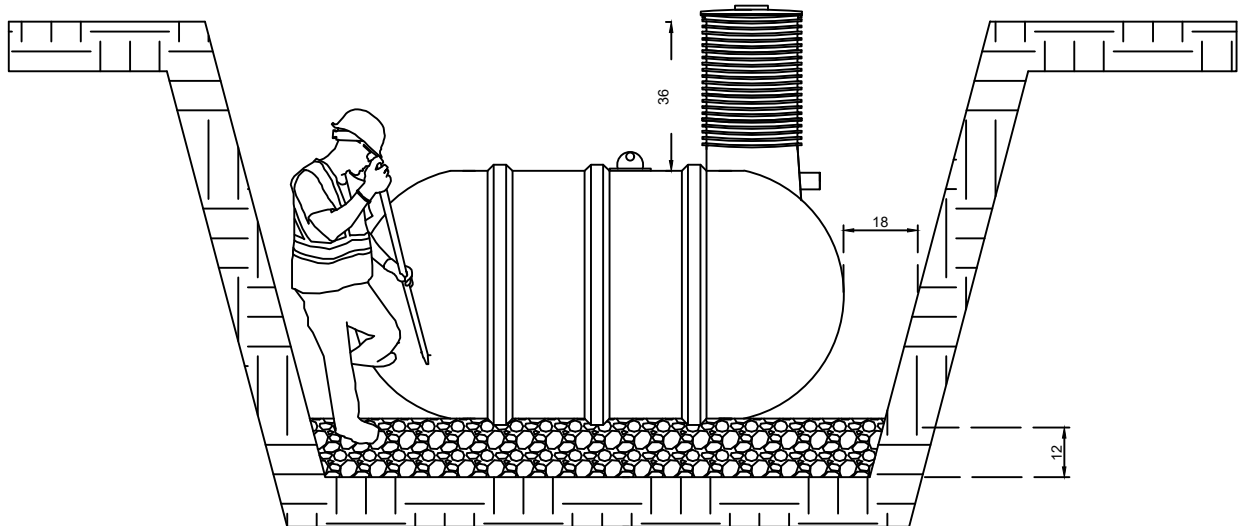


# 1000 H



Tank Specifications	
Overall Length	119"
Overall Weight	697 Lbs
Overall Capacity	1000 Imp GI / 4546 L
Working Capacity	900 GI/4086L
Cylinder Height	64"
Riser Diameter	23.5 ID
In-let Standard	4" FRP
Riser Supplied	3Ft Orenco Ultra Rib
Burial Depth	6FT

## EQUIPMENT LISTING

A	Heavy Single Wall FRP Tank
B	Lifting Lugs
C	24" Tuff Tite Insulated Gasket Fit Lid
D	4" FRP Inlet
E	8" Clean Out
F	24" Orenco Ultra Rib Riser

Model: 1000 H
PH: 403-393-6858
jbrosfiberglass@gmail.com
BY: Jessy Dyck

